

Details:

- Flexible and Dual Axis Bendable LED profile.
- Standard product is IP67 Rated for indoor and outdoor use.
- Multiple optics for various applications.

Features:

- Cut Segments in 9.84' up to 16.4'
- Mounting via brackets, clips, straight or curved channel.
- Factory Cutting and Kiting Suggested.
- Power Leads and Connectors included at no charge.

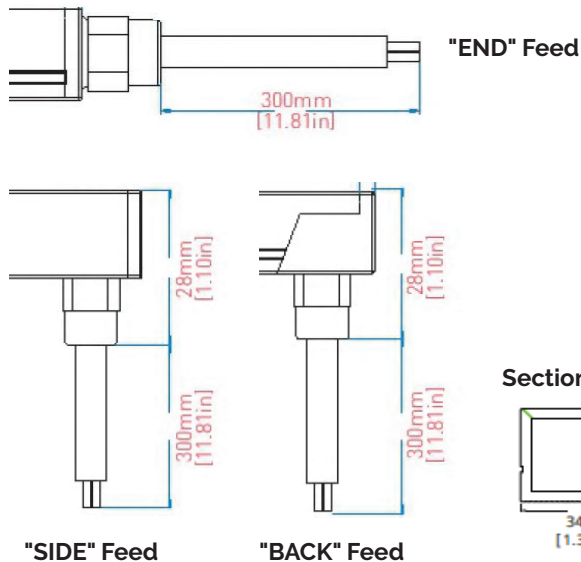
Lighting Features:

- Speciy beam spread for the application.
- 50,000hr. Life (L70) Indoors and 36,000hr Outdoors
- 90CRI Standard
- TM-30 data available at www.conveylighting.com

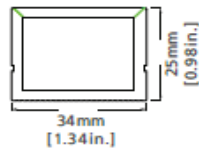
Also available in RGBW Option.



Feed Options:

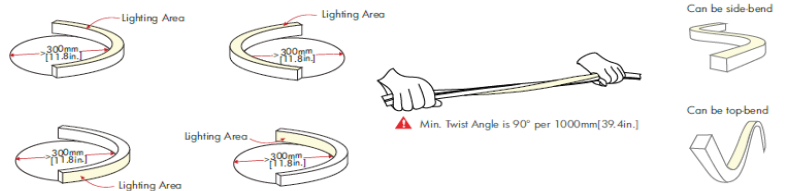


Sectional



Specifications:

Average Power Consumption	7.6w per Foot
Voltage	24v DC
Binning	3 step
Cut Increment	9.84" up to 16.4'
Lumens @ 4000k / 90CRI	650lm/ft
Max. Connection	16.4'
IP Rating	IP67 Standard



Ordering Information:

Example:
FLEX-W-DB-8W-SW-27-24-25X50-E-MPF

Model:	CCT(White):	Finish:	Voltage:	Optic:	Feed Type:	Mounting:
<input type="text"/>	<input type="text"/>	<input type="text"/>	<input type="text"/>	<input type="text"/>	<input type="text"/>	<input type="text"/>
FLEX-W-DB-8W-SW	27 2700K, 30 3000K, 35 3500K, 40 4000K,	WH White BK Black	24 24v	10 Degrees 15 20 25 30 40 50 25x50 45x30	E End Feed S Side Feed B Back Feed	MC Mounting Clip MB Mounting Bracket MPS Profile Straight MPF Profile Flexible

Mounting:

